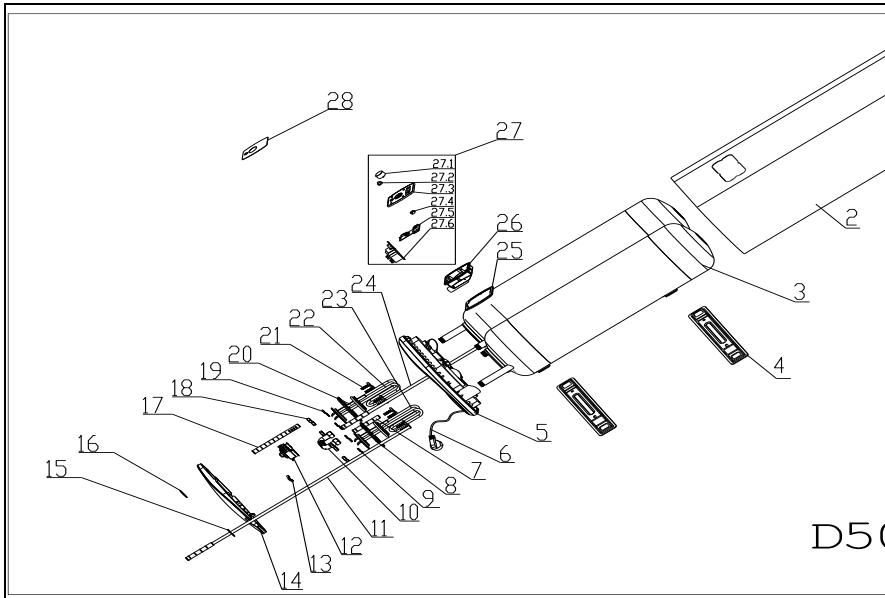


## Exploded View

Smart Master 50

220\_240V\_1Ph,FREQUENCY\_50\_60HZ



| No.  | Part Name                      | Quantity | BOM Code       |  |
|------|--------------------------------|----------|----------------|--|
| 1    | End cover                      | 1        | 12151000002806 |  |
| 2    | Shell                          | 1        | 12251000A11389 |  |
| 3    | Tank-assembly                  | 1        | 12251000003968 |  |
| 4    | Hanging Plate                  | 2        | 12251000A10990 |  |
| 5    | End cover                      | 1        | 12151000002804 |  |
| 6    | Power Cord                     | 1        | 17451000003902 |  |
| 7    | WATER PIPE                     | 1        | 12151000000640 |  |
| 8    | Component of heater clamp      | 2        | 12951000000981 |  |
| 9    | flat washer                    | 8        | 11300309000013 |  |
| 10   | Corrugated hose                | 1        | 15351000000022 |  |
| 11   | Component of outlet pipe       | 1        | 12951000000058 |  |
| 12   | Temperature limiter            | 1        | 17451000000071 |  |
| 13   | Tension disc                   | 1        | 12151000000594 |  |
| 14   | Installed cover                | 1        | 12151000002803 |  |
| 15   | Ornament label                 | 1        | 16051000000398 |  |
| 16   | Ornament label                 | 1        | 16051000000391 |  |
| 17   | Inlet Pipe Assembly            | 1        | 12951000000264 |  |
| 18   | Nut                            | 8        | 11301512000091 |  |
| 19   | Spring Washers                 | 8        | 11300303000103 |  |
| 21   | T-Type bolt                    | 8        | 11301801000006 |  |
| 22   | Heating Element                | 1        | 17451000A04669 |  |
| 23   | Heating Element                | 1        | 17451000A04621 |  |
| 24   | Component of outlet pipe       | 1        | 12951000A00829 |  |
| 25   | Bracket                        | 1        | 12251000A10871 |  |
| 26   | Control Box                    | 1        | 12151000A07906 |  |
| 27   | Unified distribution component | 1        | 17251000A07884 |  |
| 27.1 | Knob                           | 1        | 12151000A06242 |  |
| 27.2 | Knob                           | 1        | 12151000A07738 |  |
| 27.3 | Control Box                    | 1        | 12151000A07903 |  |
| 27.4 | Knob Seat                      | 1        | 12151000000043 |  |
| 27.5 | Display panel                  | 1        | 17151000002581 |  |
| 27.6 | Power Panel                    | 1        | 17151000000308 |  |
| 28   | Export paster                  | 1        | 16051000A24114 |  |